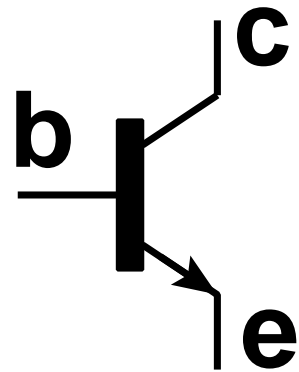
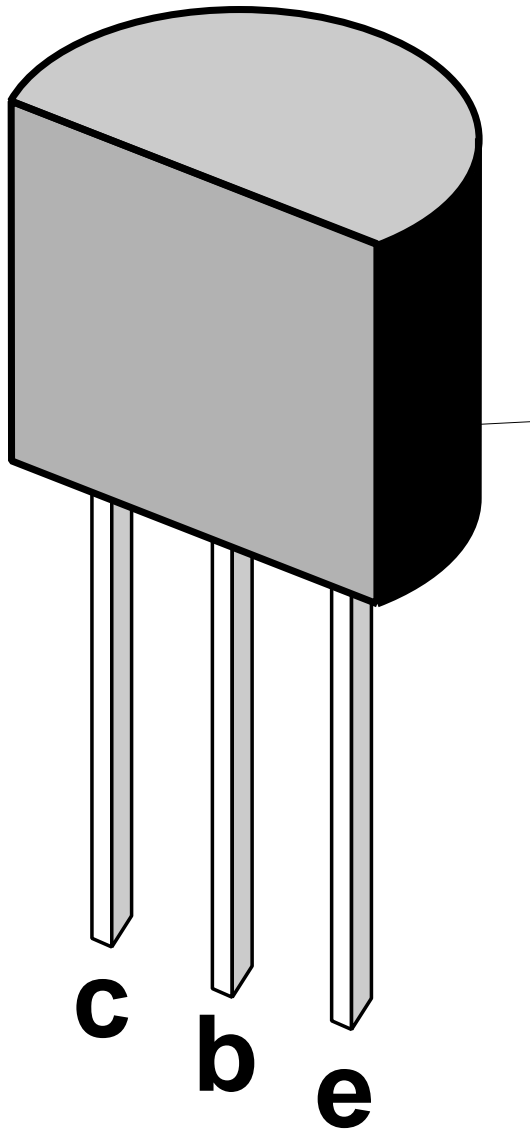


# BC183/184



**Bipolar npn  
transistor**

