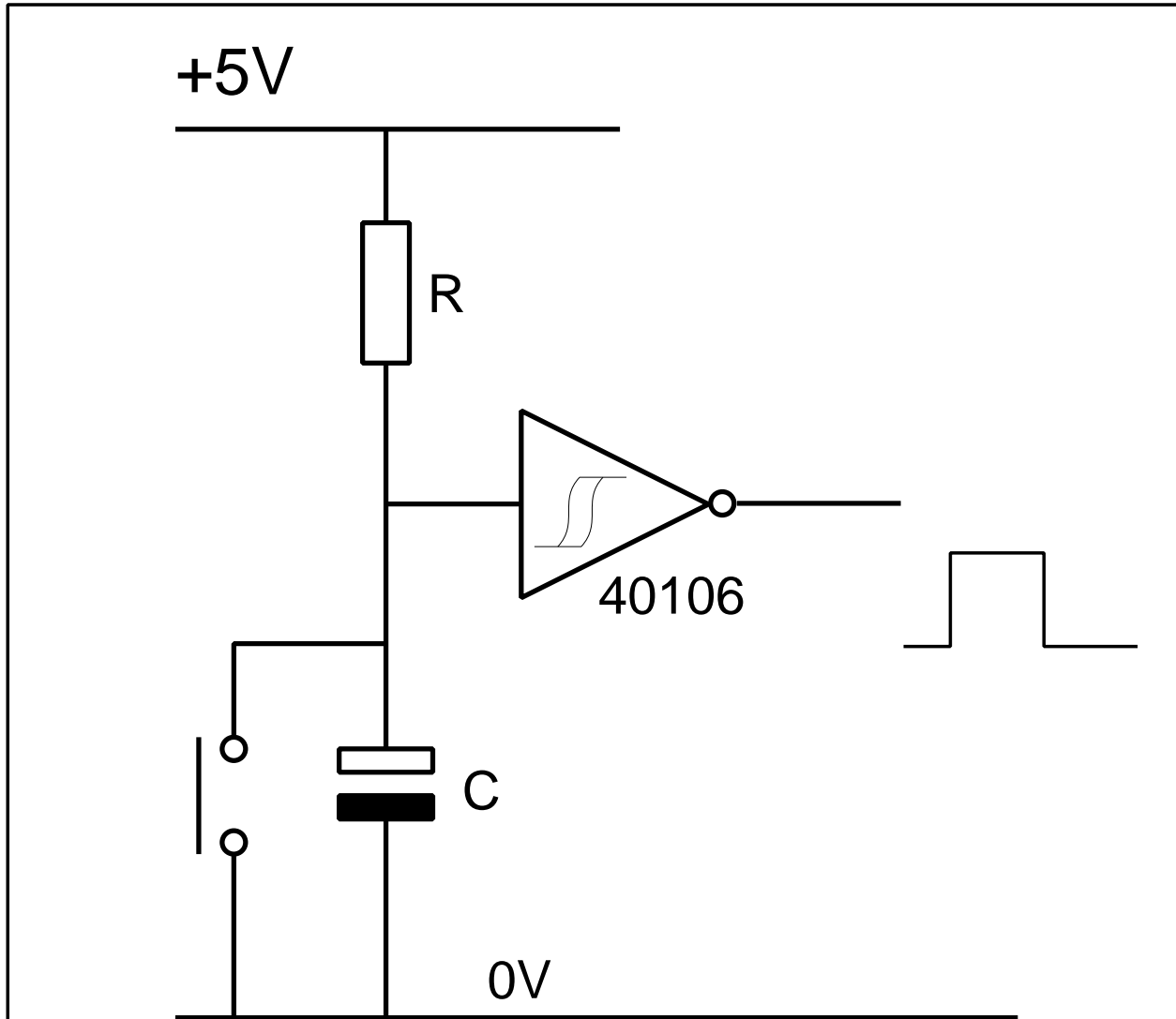


# 40106 Monostable



$$T \approx RC$$

